

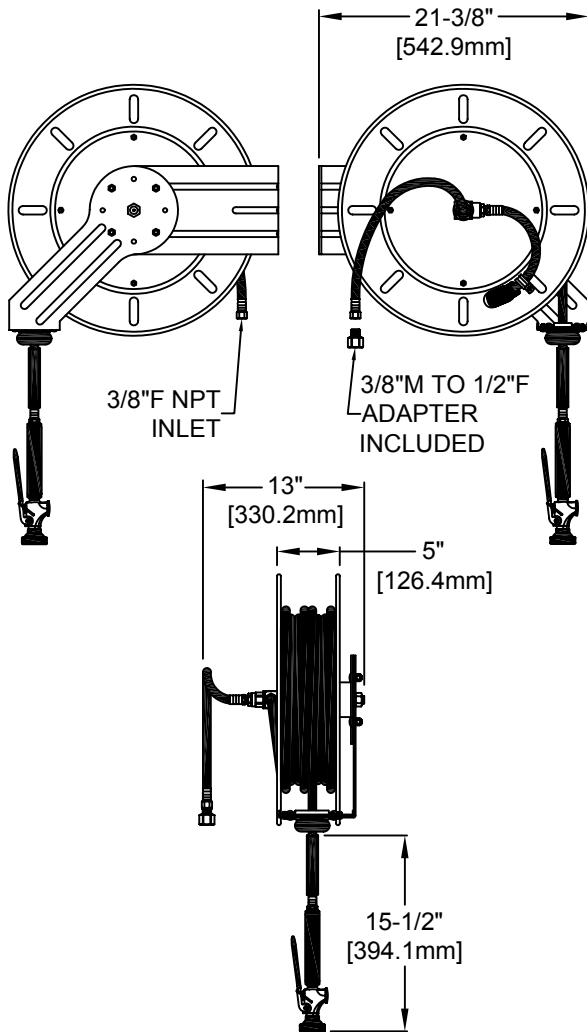
APPLICATION:  
 JOB NAME:  
 QUANTITY:                      ITEM NO.:

PRODUCT NAME:  
**STAINLESS STEEL REEL RINSE  
 EXPOSED WITH SPRAY VALVE**

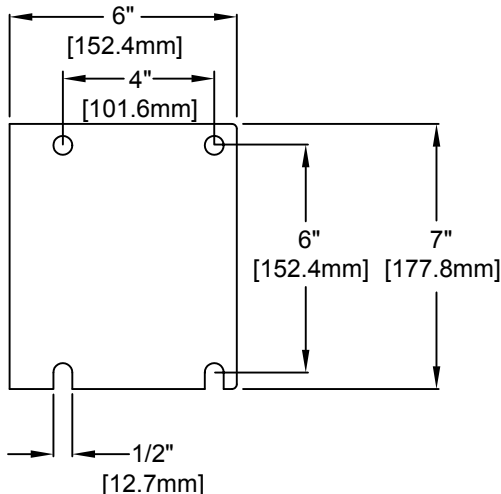
\_\_\_\_\_ SPECIAL CONFIGURATION  
 (CHECK BASE MODEL AND OPTIONS)

MODEL:

29610 W/ 35' LENGTH HOSE  
 29602 W/ 50' LENGTH HOSE



ROUGH-IN: SEE MOUNTING PLATE BELOW



OPTIONS OR MODIFICATIONS:

BRUSH  
 OTHER \_\_\_\_\_

FEATURES:

**REEL RINSE**

- \* EXPOSED DESIGN
- \* STAINLESS STEEL CONSTRUCTION
- \* GUIDE ARM ADJUSTABLE TO 9 POSITIONS
- \* RATCHED LOCK AND EASY TENSION ADJUST
- \* STAINLESS STEEL OR BRASS FLUID PATH

**HOSE**

- \* 35' OR 50' LENGTH REEL HOSE
- \* 3/8" ID HIGH TEMPERATURE HOSE
- \* 3-PLY FIBER REINFORCED
- \* 1/2" F NPT OR 3/8" F NPT INLET
- \* 18" LENGTH INLET HOSE
- \* ADJUSTABLE BALL STOP

**STANDARD PRO SPRAY VALVE**

- \* SOLID BRASS SHOWER HEAD - NO "O" RINGS TO LEAK
- \* BRONZE HANDLE - NOT PLASTIC - MEANS FULL "ON"
- \* FITS ALL BRANDS
- \* 2.65 GPM AT 80 PSI
- \* SHOWER SPRAY PATTERN

**SYSTEM LIMITS**

- \* TEMP: 40°F MIN. TO 140°F MAX.
- \* PRESSURE 150 PSI MAX. STATIC

**SHIPPING WEIGHT**

- \* 29610 - 50.0 LBS
- \* 29602 - 52.0 LBS